



**VISION GROUP**  
Shenzhen Center Power  
Tech.Co.Ltd.,

# CG12-160PEX

12V 160Ah(10hr)

## Overview

Gel battery shows some distinctive advantages over flooded battery or AGM battery, such as super thermal stability, high deep discharge capability, good recovery from deep discharge, even if the battery is left discharged for three days, it will recover to 100% of capacity. With the above-mentioned advantages, the gel battery has long service life, specially suitable for motive power applications, such as golf trailer, srubber, folklift, etc. The deep discharge cycles increased 50% as compared with the AGM battery.

## Battery Construction

Component	Positive plate	Negative plate	Container	Cover	Safety valve	Terminal	Separator	Electrolyte
Raw material	Lead dioxide	Lead	ABS	ABS	Rubber	Copper	PE	Gelled acid

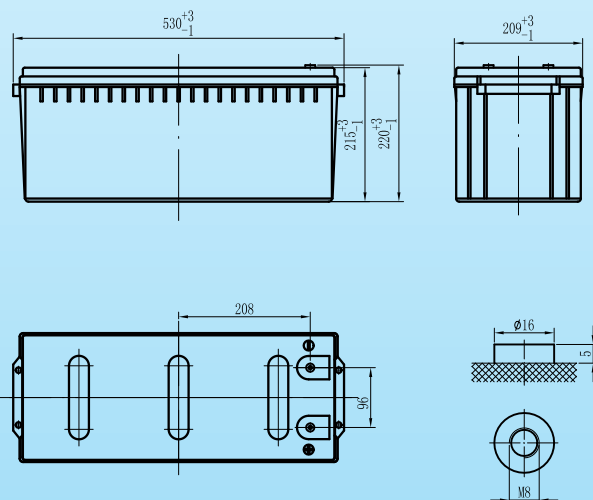
## General Features

- Nanometer SiO<sub>2</sub> and H<sub>2</sub>SO<sub>4</sub> gelled electrolyte technology for efficiency gas recombination of up to 99% and freedom from electrolyte maintenance or water adding
- Not restricted for air transport-complies with IATA/ICAO Special Provision A67.
- Can be mounted in any orientation.
- Computer designed lead, calcium tin alloy grid for high power density.
- Long service life, float or cyclic applications.
- Maintenance-free operation.
- Low self discharge.
- Case and cover available in both standard and flame retardant ABS.

## Dimensions and Weight

Length(mm / inch)	530/20.87
Width(mm / inch)	209/8.23
Height(mm / inch)	215/8.46
Total Height(mm / inch)	220/8.66
Approx. Weight(Kg / lbs)	56.5/124.6

\* Weight deviation: ± 3%



## Battery Specification

Performance Characteristics	
Nominal Voltage	12V
Number of cell	6
Design Life	12years
Nominal Capacity 77°F(25°C)	
10 hour rate (16.0A, 10.8V)	160Ah
5 hour rate (28.2A, 10.5V)	169.2Ah
1 hour rate (99.2A, 9.6V)	99.2Ah
Internal Resistance	
Fully Charged battery 77°F(25°C)	5.8mOhms
Self-Discharge	
2% of capacity declined per month at 20°C(average)	
Operating Temperature Range	
Discharge	-20-60°C
Charge	-10-60°C
Storage	-20-60°C
Max. Discharge Current 77°F(25°C)	750A(5s)
Short circuit Current	2600A
Charge Methods: Constant Voltage Charge 77°F(25°C)	
Cycle use	2.40-2.45VPC
Maximum charging current	40.5A
Temperature compensation	-20mV/°C
Standby use	2.20-2.27VPC
Temperature compensation	-30mV/°C

## Discharge Constant Current (Amperes at 77°F25°C)

End Point								
Volts/Cell	10min	15min	30min	1h	3h	5h	10h	20h
1.60V	336	275	160	99.2	41.6	30.4	16.8	8.96
1.65V	317	256	157	96.0	40.5	29.4	16.6	8.80
1.70V	298	243	154	92.8	39.5	28.8	16.3	8.64
1.75V	278	224	150	89.6	38.9	28.2	16.2	8.56
1.80V	259	205	144	84.8	37.3	27.2	16.0	8.40

## Discharge Constant Power (Watts at 77°F25°C)

End Point								
Volts/Cell	10min	15min	30min	1h	3h	5h	10h	20h
1.60V	575	467	300	186	77.9	58.4	32.5	17.6
1.65V	545	463	286	177	73.9	55.1	30.8	16.6
1.70V	533	444	273	169	70.1	52.5	29.0	15.9
1.75V	507	416	265	163	66.7	51.4	27.9	15.3
1.80V	481	393	253	156	62.7	47.9	26.1	14.8

(Note)The above characteristics data are average values obtained within three charge/discharge cycles not the minimum values.All data shall be changed without notice, Vision reserves the right to explain and update the information contained hereinto.



**VISION GROUP**  
Shenzhen Center Power  
Tech.Co.Ltd.,

# CG12-160PEX

12V 160Ah(10hr)

