



VISION Rechargeable Products Sealed Lead Acid Battery

www.vision-batt.com

HFS Series

High Rate Discharge

The new VISION HFS series batteries are specially designed for applications where need high power output. By optimum design of battery grids and plate paste formula, the HFS series can deliver up to 40% more power than VISION standard CP/FM series.

Shenzhen Center Power Tech Co., Ltd has more than 20 year's experience in the manufacturing of VRLA batteries.

SZCPT is one of the largest manufacturers of SLA (or VRLA) batteries in the world, the largest one in Mainland China and the first in China to develop and commercialize the sealed lead-acid battery with brand name VISION and has been at the forefront of battery technology from day one.

SZCPT leads the world in innovative battery technology. Our global network of sales and service engineers, backed in turn by our agents and distributors, means that we are currently active in more than 100 countries.

Shenzhen Center Power Tech. Co., Ltd

HFS12-500W-X 12V 500W

General Features

- Positive and negative plates in lead-calcium tin alloy.
- Superior energy density.
- Operates at a low internal pressure.
- Gas Recombination.
- Special separator technology.
- A recognized component of UL,IEC,TLC,etc.
- Flame retardant ABS (UL 94-FV0).
- Very high power output for 5 to 15 minutes supply.
- Special design to avoid thermal runaway.
- A covered range from 90W to 850W per cell for 15' @ 1.67Vpc.
- Six months shelf life at 20°C.
- Design life 12+ years at 25°C.
- Recommended loading 1h and below.

Dimensions and Weight

	Metric Units	English Units
Length	340mm	13.4inch
Width	172mm	6.78inch
Height	279mm	11.0inch
Total Height	286.5mm	11.3inch
Approx. Weight	40.0Kg	88.2lbs



Performance Characteristics

- Nominal Voltage 12V
- Number of cell 6
- Nominal Capacity 77°F(25°C)
 - 15 min wattage @1.67VPC 500W/cell
 - 10 hour rate (13.4A, 10.8V) 134Ah
 - 20 hour rate (7.00 A, 10.8V) 140Ah
- Torque setting:12.4NM
- Internal Resistance
 - Fully Charged battery 77°F(25°C) ≤ 3.8mOhms
- Self-Discharge
 - 3% of capacity declined per month at 20°C(average)
- Operating Temperature Range
 - Discharge -20~60°C
 - Charge -10~60°C
 - Storage -20~60°C
- Max. Discharge Current 77°F(25°C) 870A(5s)
- Charge Methods: Constant Voltage Charge 77°F(25°C)
 - Cycle use 14.4V-14.7V
 - Maximum charging current 42 A
 - Temperature compensation -30mV/°C
- Standby use 13.38V-13.8V
 - Temperature compensation -20mV/°C



Center Power Industrial Park, Tongfu Industrial District Dapeng Town, 518120 Shenzhen, China
 Tel: 86 755 84318088 Fax: 86 755 84318038 E-mail: sales@vision-batt.com
 Website: <http://www.vision-batt.com>

HFS12-500W-X 12V 500W

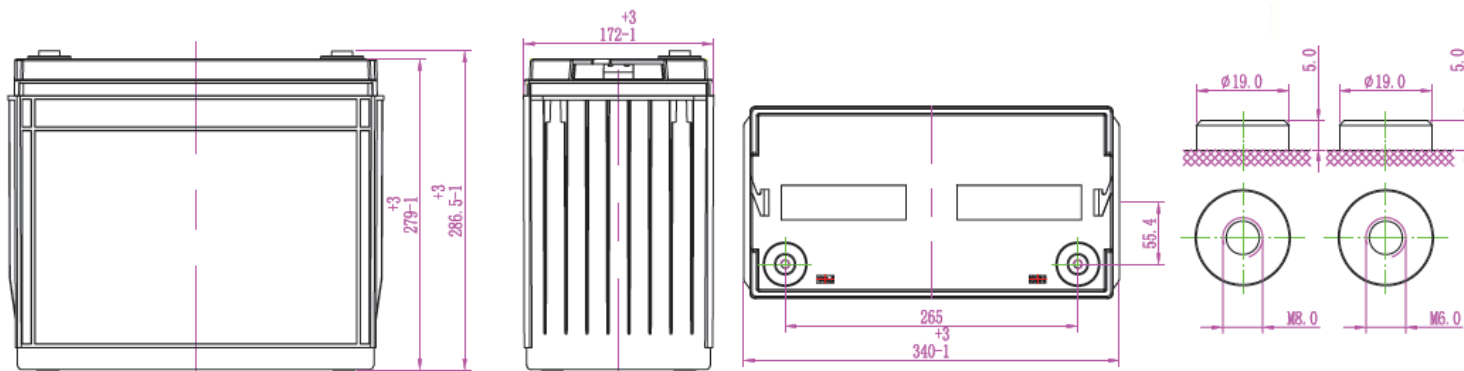
Discharge Data

Constant Current Discharge Date(Ampere at 25°C)									
End Voltage Volts/Cell	3min	5min	10min	15min	20min	25min	30min	45min	60min
1.60	520	441	348	276	238	207	179	121	96.6
1.65	504	432	327	263	229	198	173	117	92.1
1.67	498	428	318	258	226	195	171	116	90.3
1.70	486	412	309	251	214	184	161	110	88.2
1.75	469	401	298	239	202	176	154	108	85.1
1.80	456	387	290	229	195	171	149	105	81.9

Constant Power Discharge Date (Ampere at 25°C)									
End Voltage Volts/Cell	3min	5min	10min	15min	20min	25min	30min	45min	60min
1.60	1056	834	630	503	424	371	331	246	189
1.65	1040	818	614	501	419	364	324	240	187
1.67	1034	812	607	500	417	361	321	238	186
1.70	1012	783	568	455	391	347	311	231	182
1.75	973	759	528	438	381	334	297	224	177
1.80	944	726	521	421	368	321	287	216	173

(Note)The above characteristics data are average values obtained within three charge/discharge cycles not the mimimum values.
All data shall be changed without notice, Vision reserves the right to explain and update the information contained hereinto.

Performance drawings



HFS12-500W-X 12V 500W

